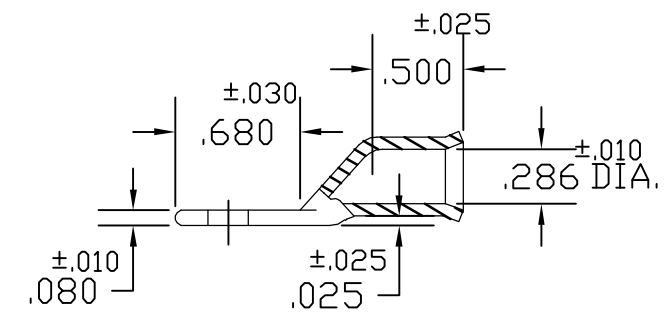
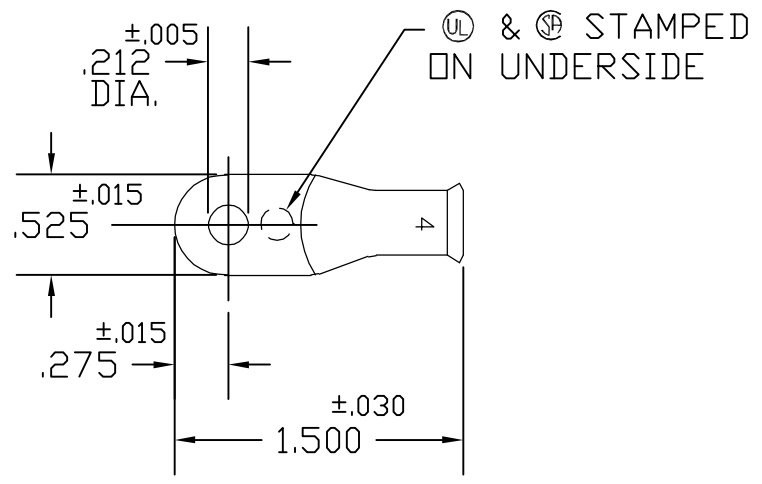


THIS DRAWING IS UNPUBLISHED. RELEASED FOR PUBLICATION
 © COPYRIGHT BY TYCO ELECTRONICS CORPORATION. ALL RIGHTS RESERVED.

LOC	DIST	REVISIONS					
		P	LTR	DESCRIPTION	DATE	DWN	APVD
G	50		A1	REVISED PER ECR-06-009580	28APR06	HMR	JR



ACTIVE	4101-01	STANDARD	TIN PLATE	1526223-2
ACTIVE	4101-00	STANDARD	PLAIN	1526223-1
STATUS	AET P/N	PACKAGING	FINISH	PART NUMBER

THIS DRAWING IS A CONTROLLED DOCUMENT.		DWN D.A.A	10/16/00	Tyco Electronics Corporation Harrisburg, PA 17105-3608
DIMENSIONS: INCHES		CHK H.D.F	10/16/00	
		APVD H.D.F	10/16/00	
TOLERANCES UNLESS OTHERWISE SPECIFIED: 0 PLC ± - 1 PLC ± - 2 PLC ± - 3 PLC ± - 4 PLC ± - ANGLES ± -		PRODUCT SPEC -		NAME 4 STANDARD TERMINAL
MATERIAL COPPER ASTM B-152		APPLICATION SPEC -		
FINISH -		WEIGHT -		SIZE A3
CUSTOMER DRAWING		CAGE CODE 00779		DRAWING NO G-1526223
		SCALE 1:1		SHEET 1 OF 1
				REV A1